

# PROINVAL 1-PIECE BALL VALVE NP 56 SCREWED ENDS BSP DIN NPT

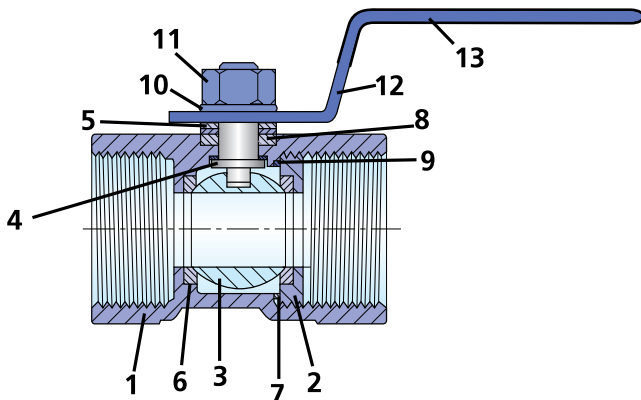
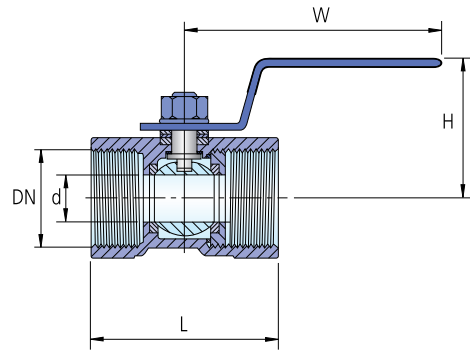
## BVP-16L

BV Proinval ball valves BVP-16L are used in many industrial installations. They allow a quick and efficient closure of the fluid.



**RANGE:** from ND1/4" up to ND2".  
**SCREWED ENDS:** DIN 259/2999 or NPT.  
**DESIGN PRESSURE:** 800 PSI WOG.

ND	d	L	H	W	kgs.
1/4"	5,1	39	36,5	69	0,07
3/8"	6,4	44	37,5	79	0,10
1/2"	8,8	56,5	40	110	0,18
3/4"	10,5	59	45,3	108	0,27
1"	16	71	48	112	0,42
1.1/4"	20	78	53	112	0,70
1.1/2"	25	83	60,5	157	0,85
2"	31,7	100	67,5	157	1,36

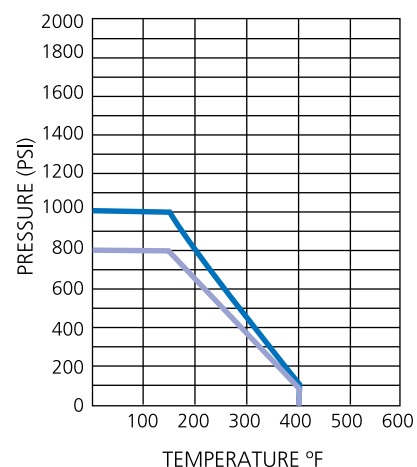


MATERIALS		
1	<b>BODY</b>	S.S. CF8M
2	<b>RETAINER</b>	S.S. CF8M
3	<b>BALL</b>	S.S. CF8M
4	<b>STEM</b>	S.S. 316
5	<b>GLAND RING</b>	S.S. 304
6	<b>BALL SEAT</b>	PTFE
7	<b>BODY SEAL</b>	PTFE
8	<b>PACKING</b>	PTFE
9	<b>THRUST WASHER</b>	PTFE
10	<b>SPRING WASHER</b>	S.S. 304
11	<b>NUT</b>	S.S. 304
12	<b>LEVER</b>	S.S. 304
13	<b>PROTECTOR</b>	PVC

### GENERAL CHARACTERISTICS:

- One piece valve.
- Investment casting.
- Blow-out proof stem.
- Anti-static device.
- Fire safe design.
- Reduced bore.
- High mechanical resistance.
- Low pressure drop.
- Two directional closure.
- Total tightness.
- Low torque output.
- Seats and packing made of high resistant teflon.
- Low cost installation and maintenance.
- Quick to install and easy to manipulate with 1/4 turn (90°).
- Temperature between 0°C and 205°C (depending on working pressure).

### PRESSURE / TEMPERATURE RATING





[www.proinval.eu](http://www.proinval.eu)

