

PROINVAL 3 WAY BALL VALVE PORT L / T NP 56 SCREWED ENDS BSP

BVP-15B

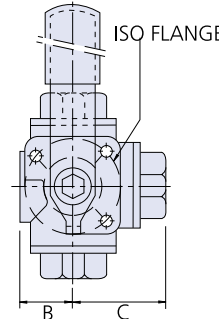
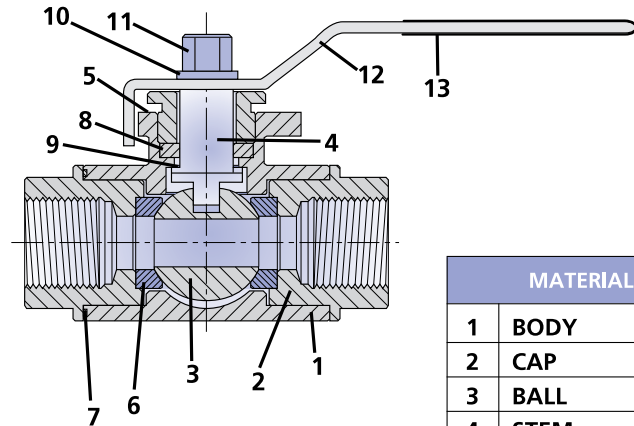
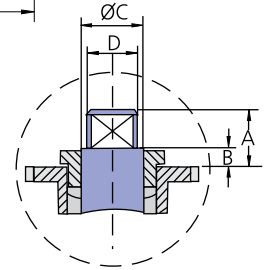
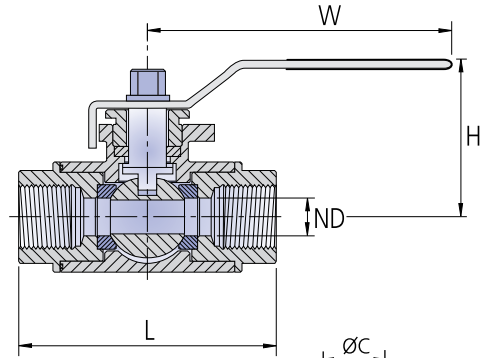
BV Proinval ball 3 way valves BVP-15B are used in many industrial and air conditioning installations. They allow a quick and efficient closure of the fluid and changes in flow direction.



POSITION	1	2	3	4
L PORT				
T PORT				

RANGE: from ND1/4" up to ND2".
SCREWED ENDS: ASME B.1.30.1 (NPT) / DIN2999 & BS21.
DESIGN PRESSURE: 800 PSI WOG.

ND	L	H	W	B	C	Kgs.
1/4"	79	66	158	22	39,5	0,70
3/8"	79	66	158	22	39,5	0,70
1/2"	79	66	158	22	39,5	0,75
3/4"	88	77	158	28	44	0,80
1"	108	78	185	31	54	1,65
1.1/4"	124	90	210	34	62	2,70
1.1/2"	135	98	235	40	67,5	3,90
2"	164	92	235	48	82	6,80



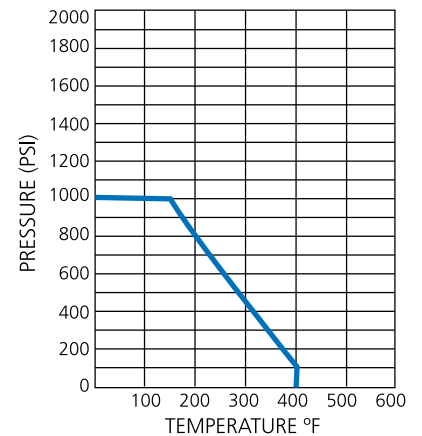
ND	A	B	C	D
1/4"	10,7	5,7	12	9
3/8"	10,7	5,7	12	9
1/2"	10,7	5,8	12	9
3/4"	13,9	6,9	15	11
1"	20	8,5	15	11
1.1/4"	23,8	7,8	15	11
1.1/2"	25,8	10,2	15	11
2"	25,3	9,7	18,5	14
1.1/2"	24,5	8,5	18,5	14
3"	29	9	21	17

MATERIALS		
1	BODY	S.S. CF8M
2	CAP	S.S. CF8M
3	BALL	S.S. 316
4	STEM	S.S. 316
5	GLAND NUT	S.S. 304
6	BALL SEAT	15% R-PTFE
7	BODY SEAL	15% R-PTFE
8	PACKING	15% R-PTFE
9	THRUST WASHER	15% R-PTFE
10	SPRING WASHER	S.S. 304
11	NUT	S.S. 304
12	LEVER	S.S. 304
13	PROTECTOR	PVC

GENERAL CHARACTERISTICS:

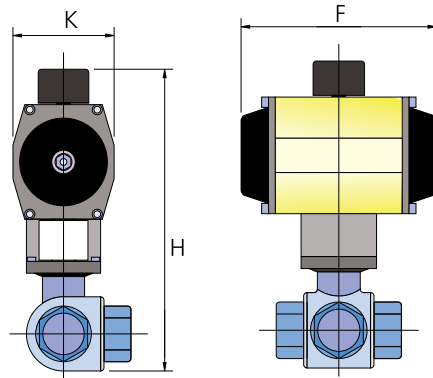
- Investment casting.
- Blow-out proof stem.
- Anti-static device.
- Fire safe design.
- Reduced bore.
- Exit in L or T.
- High mechanical resistance.
- Low pressure drop.
- Two directional closure.
- Total tightness.
- Low torque output.
- Seats and packing made of high resistant teflon, made of 15% R-PTFE.
- Low cost installation and maintenance.
- Quick to install and easy to manipulate with 1/4 turn (90°).
- Temperature between 0°C and 205°C (depending on working pressure).

PRESSURE / TEMPERATURE RATING



BVP-15B

PROINVAL 3 WAY BALL VALVE WITH PNEUMATIC ACTUATOR NP56 SCREWED ENDS BSP – PORT L / T



BVP-14 PROINVAL PNEUMATIC ACTUATOR DOUBLE OR SIMPLE EFFECT

BODY: ALUMINUM
PINION: STEEL
PISTON: ALUMINUM
END CAP: ALUMINUM
"O" RINGS: NBR

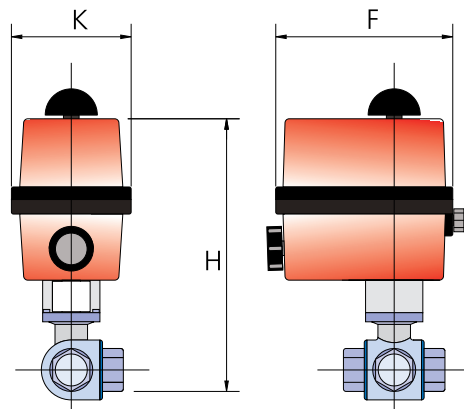
DOUBLE EFFECT

SIMPLE EFFECT

ND	ACT.	H	F	K	Kgs.	ACT.	H	F	K	Kgs.
1/4"	AP1	186	137	60	1,55	AP2S	202	150	73	2,44
3/8"	AP1	186	137	60	1,55	AP2S	202	150	73	2,44
1/2"	AP1	186	137	60	1,60	AP2S	202	150	73	2,49
3/4"	AP2	214	150	73	2,42	AP3S	231	204	85	3,96
1"	AP3	259	204	85	4,57	AP3,5S	269	230	98	6,31
1.1/4"	AP3	271	204	85	5,62	AP4S	296	271	110	9,04
1.1/2"	AP3,5	293	230	98	8,08	AP4,5S	337	305	128	13,7
2"	AP4	325	271	110	12,66	AP4,5S	354	305	128	16,6

BVP-15B

PROINVAL 3 WAY BALL VALVE WITH ELECTRIC ACTUATOR NP56 SCREWED ENDS BSP – PORT L / T



BVP-20 PROINVAL ELECTRIC ACTUATOR SINGLE-PHASE 220V/50Hz - 24V AC/DC

CHASSIS: PLASTIC
REDUCTOR: STEEL
STEM: STEEL
CAM: STEEL
IP67 PROTECTION.

SINGLE -PHASE 220V/50Hz

ND	ACT	H	F	K	Kgs.
1/4"	UMS 220v	187	107	84	2,2
3/8"	UMS 220v	187	107	84	2,2
1/2"	UMS 220v	187	107	84	2,25
3/4"	UM1 220v	245	112	112	3,3
1"	UM1 220v	273	112	112	4,15
1.1/4"	UM3 220v	306	165	165	5,2
1.1/2"	UM3 220v	318	165	165	6,9
2"	UM3 220v	335	165	165	9,8

