

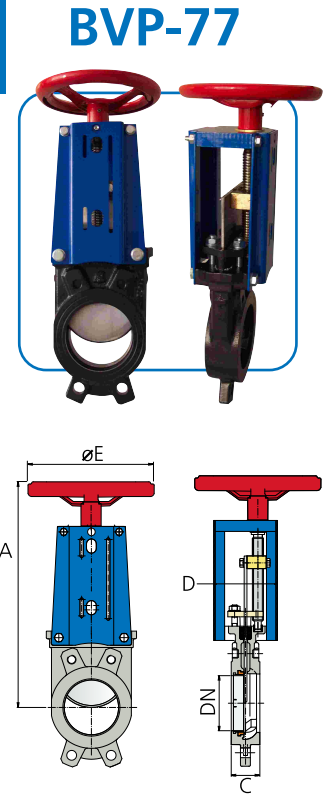
# PROINVAL KNIFE GATE VALVE NP10 WAFER NON RISING STEM

Proinval BVP-77 knife gate valve is unidirectional with a fixed spindle being especially suitable for the control and regulation of fluids with a high level of slurries.

**RANGE:** from ND50 to ND400.  
**CLASS:** ND50 up to 200 (10 Bars)  
ND250 up to 300 (6 Bars)  
ND350 up to 400 (5 Bars).

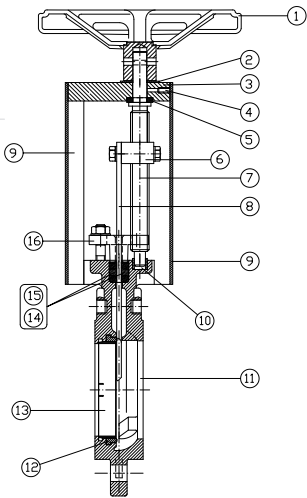
**DISTANCE BETWEEN FACES:** ISO 5752.  
**WAFER BETWEEN FLANGES:** DIN NP10 / 16 (to ND 150)  
DIN NP10 (from ND 200).  
**PAINT FINISH:** Polyester 150µmm.

ND	A	B	C	D	øE
50	328	144	43	106	200
65	354	158	46	106	200
80	367	173	46	106	200
100	396	166	52	116	200
125	434	191	56	116	250
150	498	222	56	116	250
200	634	275	60	128	350
250	740	332	68	128	350
300	847	382	78	128	350
350	972	437	96	166	400
400	1074	491	100	166	400



## NON RISING STEM

- Reduction of axis force and torque. Improved durability of the spindle and fixings.
- Less operational space required.
- Double bearing which thrusts the guided blade, avoiding displacement and any friction.
- Standard greasing system to lubricate the fixing nut and spindle.



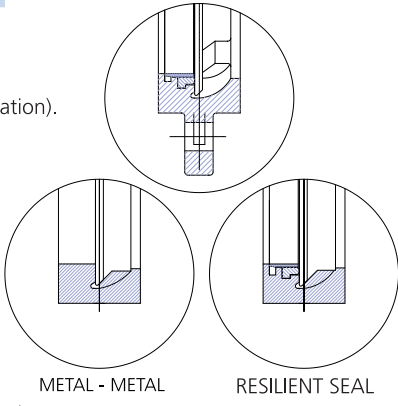
	DESCRIPTION	MATERIEL
1	WHEEL	ST37
2	FLOATING WASHER	BRASS
3	ACTUATOR MOUNTING PLATFORM	STEEL DIN 17100
4	GREASER	-
5	PLATFORM WASHER	BRONZE
6	SPINDLE NUT	BRONZE
7	SPINDLE	1.4305 UNE 10088
8	BLADE	1.4305 UNE 10088
9	FLANGES	ST37
10	ANTI-FRICTION SLEEVE	SELF LUBRICATING BRONZE
11	BODY	GJL-250 UNE-EN1561
12	SEATING SEAL	EPDM / NBR / FKM / PTFE
13	CLOSING RING	1.4401 UNE 10088
14	PACKIG	FS-PTFE
15	TORUS THREAD	EPDM / NBR / FKM / PTFE
16	STUFFING BOX	GJS-400 UNE-EN 1563



## SEATING

- Metal or resilient material seal depending on the type of material
- Different seating material options in EPDM or Nitrile.
- Seating options available according to client requirements.
- Stainless steel closing ring made assuring the tight seal of the valve or seating.

## DETAIL OF THE SEATING



## BODY

- Cast monobloc (GG25) with very rugged body which reduces the possibility of leakage.
- WAFER type design to install between flanges DIN EN 1092-1 PN10/16, ANSI 150# (according to client specification).
- Distance between faces per ISO 5752 compatible with butterfly valves.
- The inner section of the body incorporates profiled grooves and guides ensuring a tight blade shut-off.
- High unrestricted flow levels. Minimal load loss.
- Fitted with a junk trap overflow channel preventing blockages by solids which could impede shut-off.
- Polyester coating 150µ thick.

## BLADE

- Made from high corrosion resistant stainless steel AISI-304 (AISI-316).
- The blade is machined and polished on both faces, rounded edges to avoid damage in the seating and stuffing areas.
- The bottom of the blade is beveled to cut and expel solids in the flow.

## GLAND PACKING

- Comprising a triple security unit.
  - A torus thread EPDM/Nitrile
  - Two plaited stuffing seals interwoven using high quality acrylic threads impregnated with PTF and drive lubricant.
- Resistant to marine environment.
- High mechanical resistance.
- Free from silicon lubricant.

## GLAND

- Cast (GGG40) and easily adjustable, with no need to dismantle the valve.

## PRESHAPED PARTS

- Manufactured with steel of strong design and high rigidity. Coated with corrosion resistant polyester.
- Suitable for end of line installation, incorporating a position indicator, magnetic detectors...
- Complies with safety norm CE (all moving parts are securely protected)
- The reshaped parts protects the entire blade movement thus avoiding the trapping of any objects or foreign bodies or accidental blows.

# BVP-77

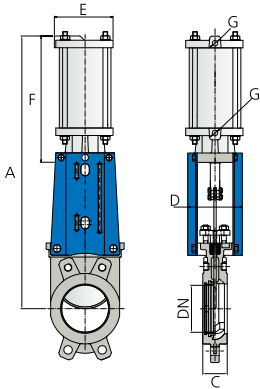
## PROINVAL KNIFE GATE VALVE WAFER NP10 FIXED SPINDLE WITH PNEUMATIC CYLINDER



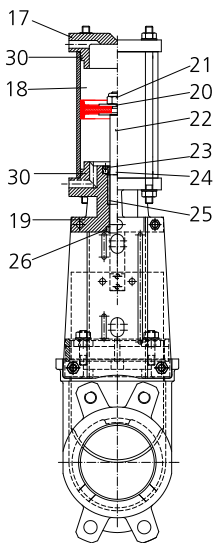
### ACTUATOR TYPES:

**MANUAL:** Handwheel, lever, gearbox and extension stem.

**ACTUATED:** double acting pneumatic or electric actuator.



ND	A	F	C	D	E	G
50	461	218	43	106	105	1/4
65	498	228	46	106	105	1/4
80	530	247	46	106	105	1/4
100	581	269	52	116	125	1/4
125	645	298	56	116	150	1/4
150	718	321	56	116	150	1/4
200	875	385	60	128	185	1/4
250	1042	447	68	128	231	1/4
300	1197	498	78	128	231	1/4
350	1363	561	96	166	281	3/8
400	1511	606	100	166	281	3/8



	DESCRIPTION	MATERIAL
17	CYLINDER HEAD	CAST ALUMINIUM
18	CYLINDER CASING	ALUMINIUM
19	CYLINDER PLATFORM	CAST ALUMINIUM
20	ZINC WASHER	GALVANISED STEEL
21	M16 NUT DIN 958 C-8 ZINC PLATED	GALVANISED STEEL
22	STEM	STEEL AISI 316
23	NUT	STAINLESS STEEL
24	H SEAL	-
25	ANTI FRICTION SLEEVE	SELF LUBRICATING BRONZE
26	STEM SCAPER	NBR + METAL
27	THREADED BRACE	ZINC PLATED
28	NUT DIN 934 C B ZINC	GALVANISED STEEL
29	GROVER WASHER DIN 127	GALVANISED STEEL
30	TORUS SEAL	NBR / VITON
8	BLADE	1.4301 UNE 10088
9	BRIDGES	ST37
11	BODY	GIL-250 UNE-EN1561
12	SEATING SEAL	EPDM / NBR / FKM /PTFE
13	CLOSING RING	1.4401 UNE 10088
14	PACKING	FS-PTFE
15	TORUS THREAD	EPDM / NBR / FKM /PTFE
16	STUFFING BOX	GJS-400 UNE-EN1563

