

# PROINVAL GLOBE VALVE NP 16 SCREWED ENDS BSP NP 16

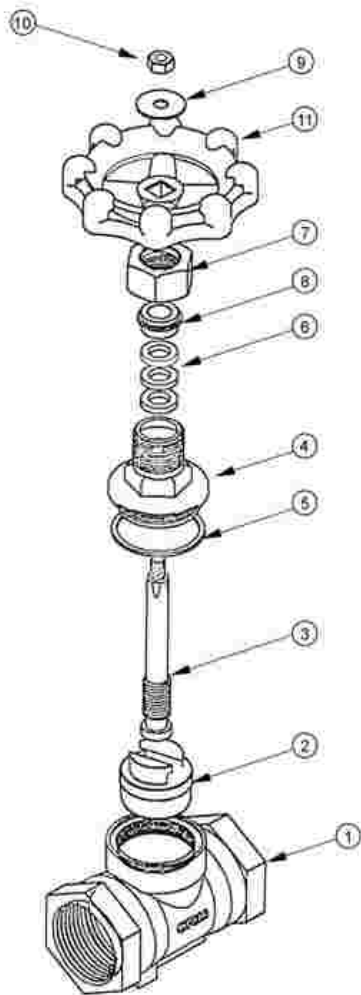
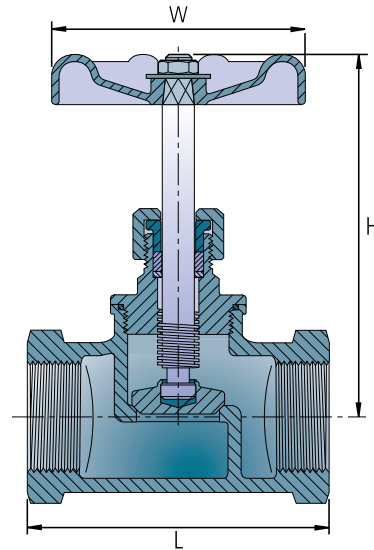
## BVP-76RI

BV Proinval globe valves BVP-76RI are used in many industrial installations for the regulation and stoppage of fluids. Their conception allows working with aggressive fluids and in the most demanding conditions.



**RANGE:** from ND1/2" up to ND2".  
**SCREWED BSP:** DIN259/2999 (BSP).

ND	L	H	W	Kgs.
1/4"	52	108	60	0,30
3/8"	52	108	60	0,36
1/2"	52	108	60	0,42
3/4"	60	118	70	0,46
1"	72	130	80	0,62
1.1/4"	80	150	90	1,05
1.1/2"	90	160	100	1,40
2"	106	178	115	2,10



MATERIALS		
1	BODY	S.S. CF8M
2	STOPPER	S.S. CF8M
3	STEM	S.S. 316
4	BONNET	S.S. 316
5	GLAND RING	S.S. 316
6	PACKING	PTFE
7	GLAND NUT	S.S. 316
8	WASHER	S.S. 316
9	WASHER STEM	S.S. 316
10	NUT	S.S. 316
11	HANDWHEEL	DUCTILE IRON

### GENERAL CHARACTERISTICS:

- Investment casting.
- Metal / metal sealing.
- Rising stem.
- Full bore.
- High mechanical resistance.
- Low pressure drop.
- Two directional closure.
- Total tightness.
- Low torque output .
- Seats and packing made of high resistant teflon.
- Low cost installation and maintenance.
- Temperature between 0°C and 200°C (depending on working pressure).

