

PROINVAL SWING CHECK VALVE NP16 SCREWED ENDS BSP

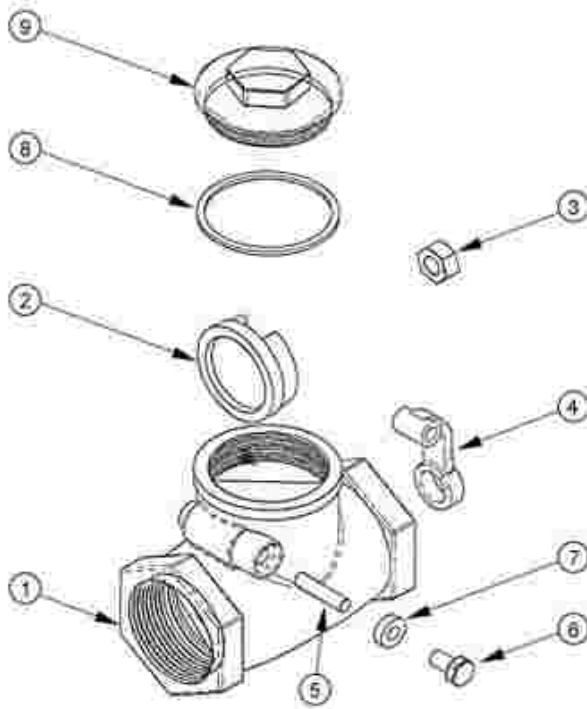
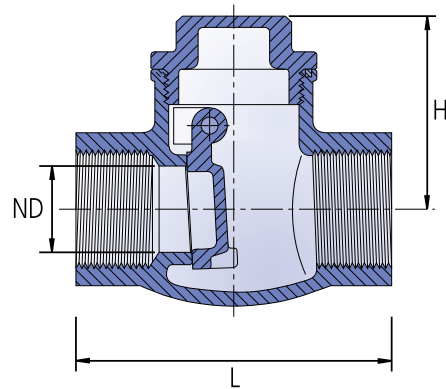
BVP-71RI

BV Proinval swing check valves BVP-71RI avoid back flow when there is no pressure in any type of industrial installation. They are designed to work with aggressive fluids in the most demanding conditions.



RANGE: from ND1/2" up to ND2".
SCREWED ENDS: DIN259/2999.

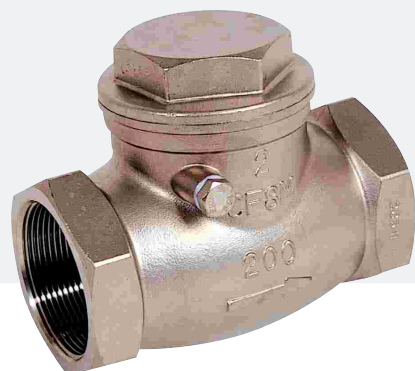
ND	L	H	Kgs.	Cv.
1/2"	85	45	0,30	30
3/4"	85	56	0,48	49
1"	90	62	0,75	72
1.1/4"	105	72	1,15	130
1.1/2"	120	73	1,54	210
2"	140	82	2,54	390



MATERIALS		
1	BODY	S.S. CF8M
2	DISC	S.S. CF8M
3	NUTS DISC	S.S. 304
4	STEM	S.S. 316
5	PIN	S.S. 316
6	BOLT	S.S. 304
7	BOLT PLUG	PTFE
8	JOINT	PTFE
9	CAP	S.S. CF8M

GENERAL CHARACTERISTICS:

- Tightness obtained with pressure in the pipeline.
- Investment casting.
- Metal/metal closure system.
- Installation in horizontal or vertical position.
- High mechanical resistance.
- Low head loss.
- Total tightness.
- Seats made of high resistant teflon.
- Low cost installation and maintenance.
- Temperature between 0°C and 200°C (depending on working pressure).



www.proinval.eu

