

PROINVAL RESILIENT SEAT SWING CHECK VALVE NP10/16 FLANGED ENDS DIN NP10/16

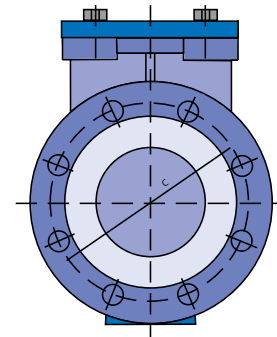
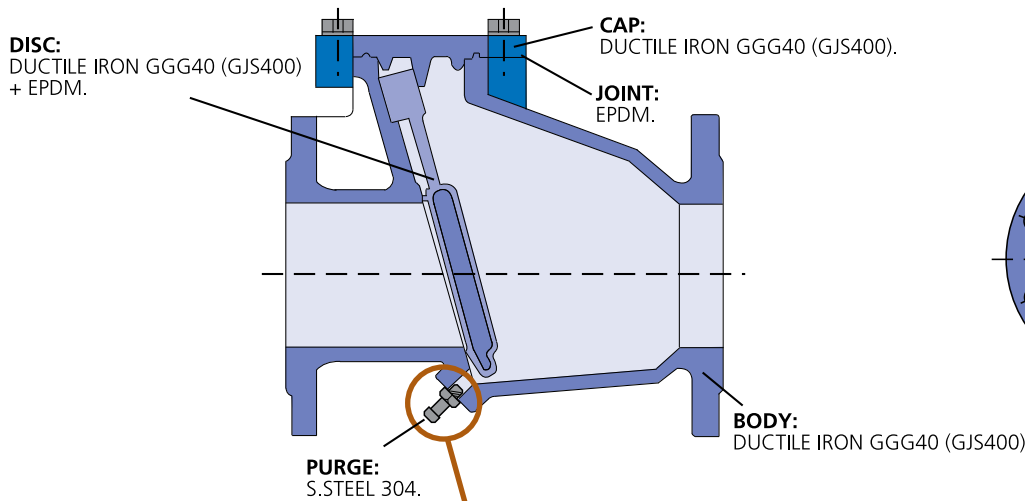
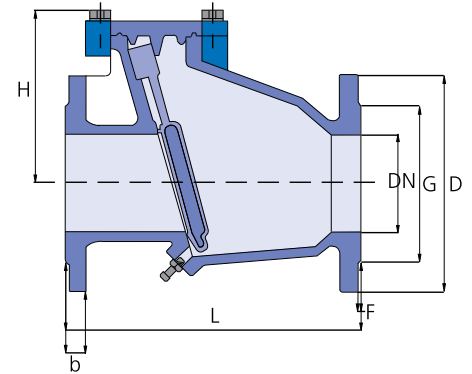
BVP-71C

BV Proinval swing check valves BVP-71C avoid back flow when there is not sufficient pressure. They are designed to work with clear water or sewage.



RANGE: from ND50 up to ND 400.
DESIGN PRESSURE: 16BAR.
FACE TO FACE LENGTH: DIN EN 558-1 (serie 48).
FLANGED ENDS: DIN NP10/16.
COATING: EPOXY 200µm.

ND	H	L	G	D	F	b	Kgs.
50	118	200	102	165	3	20	10
65	136	240	122	185	3	20	15
80	158	260	138	200	3	22	20
100	180	300	158	220	3	22	27
125	205	350	188	250	3	24	40
150	235	400	212	285	3	24	56
200	270	500	268	340	3	26	95
250	310	600	320	405	3	30	126
300	360	700	378	460	4	32	199,5
350	390	800	438	520	4	35	275
400	402	900	490	580	4	38	360



DETAILS



GENERAL CHARACTERISTICS:

- Tightness obtained from existing pressure in the pipeline thanks to the elastic covering of the disc.
- Low noise.
- Low head loss.
- Temperature between -5°C and 80°C.
- Installation in horizontal or vertical position.
- EPOXY Coating of 200µm. RAL 5017.

BVP-71

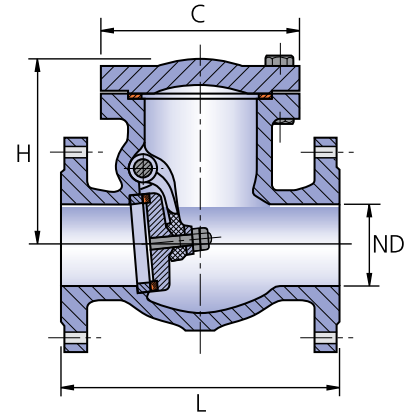
PROINVAL METAL/METAL SWING CHECK VALVE NP16/25/40 FLANGED ENDS DIN NP16/25/40



BV Proinval swing check valves BVP-71 avoid back flow when there is not sufficient pressure. They are designed to work with clear water or sewage.

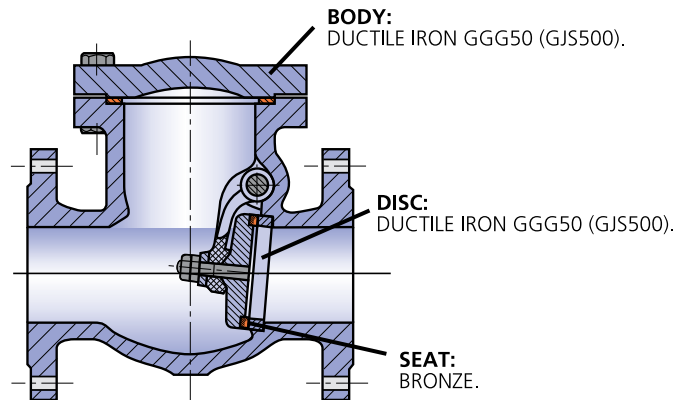
RANGE: from ND50 up to ND600.
DESIGN PRESSURE: 16/25/40 BAR.
FACE TO FACE LENGTH: DIN EN 558-1 (serie 48).
FLANGED ENDS: DIN NP10/16/25/40.
COATING: EPOXY 200µm.

ND	C	L	H	Kgs. NP 16	Kgs. NP 25	Kgs. NP 40
50	152	200	124	13	14	14
65	170	240	142	21	22	22
80	185	260	165	24	25	25
100	215	300	185	32	34	34
125	265	350	220	49	52	52
150	370	400	270	97	101	101
200	440	500	300	138	144	146
250	530	600	360	216	228	240
300	610	700	390	303	320	335
350	620	800	450	390	420	449
400	790	900	560	475	514	563
450	850	1000	575	615	620	640
500	925	1100	620	827	894	936
600	1000	1300	700	1153	1253	1325

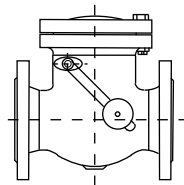
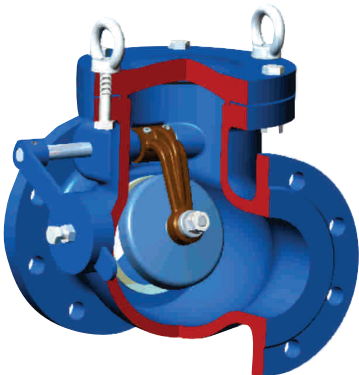


GENERAL CHARACTERISTICS:

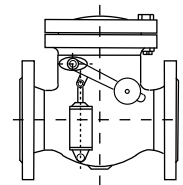
- Metallic sealing.
- Low head loss.
- Temperature between -5°C and 80°C.
- Installation in horizontal position.
- EPOXY Coating of 200µm. RAL 5017.



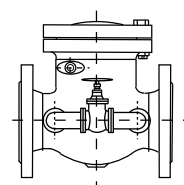
WE MAY SUPPLY WITH LEVER, COUNTERWEIGHT, BY-PASS AND HYDRAULIC DAMPER.



LEVER & COUNTERWEIGHT



HYDRAULIC DAMPER



BY-PASS

