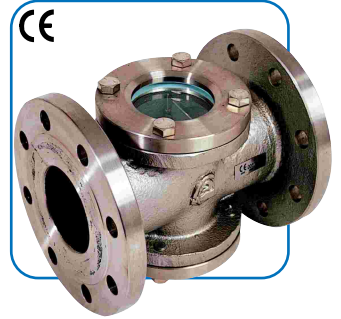


PROINVAL SIGHT GLASS NP 16 FLANGED ENDS DIN NP 10/16

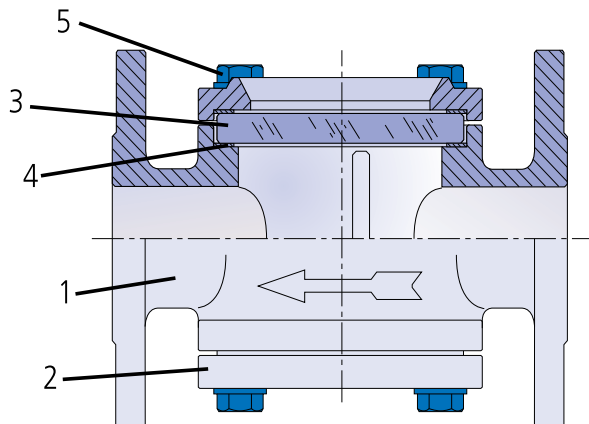
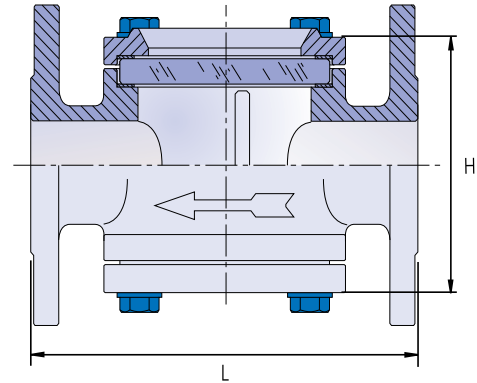
BVP-11MB

BV Proinval sight glasses BVP-11MB are used to visually check flow in a pipeline

RANGE: from ND15 up to ND300
FACE TO FACE LENGTH: DIN 2501 / PN 16
FLANGED ENDS: DIN 3202 / F1



ND	L	H	Kgs.
15	130	75	4
20	145	85	4,2
25	160	85	6,5
32	170	95	7,8
40	175	105	7,8
50	210	115	10
65	230	163	13
80	240	170	16
100	260	195	18
125	300	240	22
150	380	270	30



MATERIALS		
1	BODY	STAINLESS STEEL CF8M
2	CAP	STAINLESS STEEL CF8M
3	GLASS	THERMIC GLASS
4	GASKET	PTFE
5	BOLT	STAINLESS STEEL 304

GENERAL CHARACTERISTICS:

- Sand casting.
- Special sight glass with thermic treatment.
- Installation in horizontal or vertical position.
- High mechanical resistance.
- Low pressure drop.
- Low cost installation and maintenance.
- Temperature between 0°C and 130°C (depending on working pressure).

